

DATA SHEET

TYPE : PVAJP 2 - 0,42/47 AC

Standard acc. to IEC 61071

CHARACTERISTICS

Voltage ac	V ac	600
Voltage ac rms	V ac	420
Capacitance	μF	47
C_N tolerance	%	- 5/+5
Current I_n 50/60Hz	A	6,2/7,4
Current I_{max}	A	60

u_{max} periodic	V	1 100
u_s non-periodic	V	1 375
i_{max} periodic	kA	2,6
Self inductance	nH	< 60

THERMAL CONDITIONS

Dielectric losses	W/kvar	0,2
Service temperature	$^{\circ}\text{C}$	-25/+70
Storage temperature	$^{\circ}\text{C}$	-40/+70

SERVIS LIFE

Life expectancy	h	120 000
at hot spot	$^{\circ}\text{C}$	55
Failure rate	FIT	300

DIMENSION

$\varnothing D$	mm	85
H	mm	150
Terminal	M	M10
Torque for M10	Nm	8
Creep distance	mm	19
Strike distance	mm	20
Torque for M12 - bolt	Nm	5

TEST DATA (routine test)

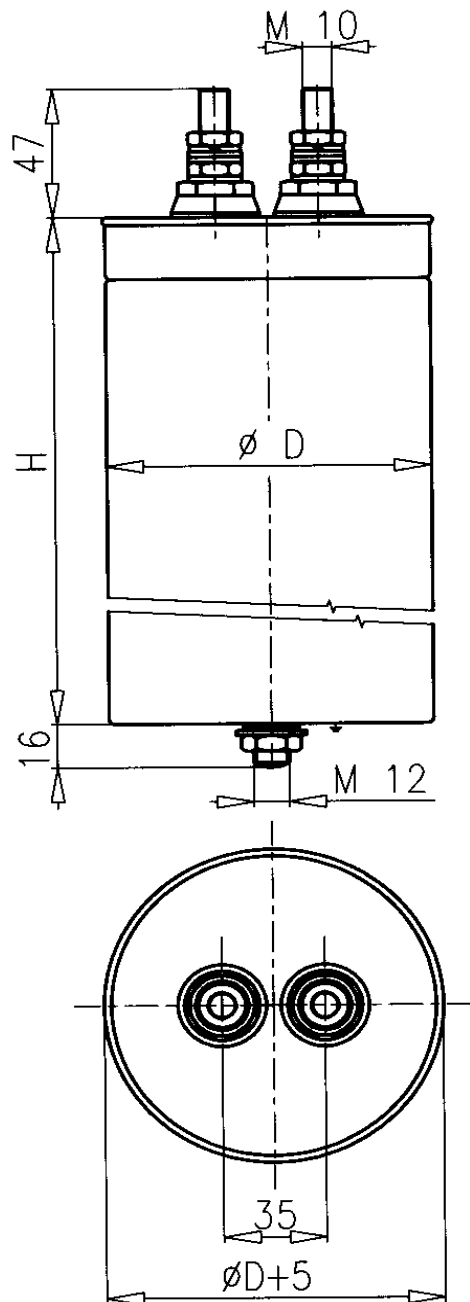
Test voltage U_{TT}	V ac	525
Test time	sec	10
Test voltage $U_{T/C}$	V ac	3 000
Test time	sec	10

DESIGN

Design MKP metallized polypropylene capacitors
Al case with metal cover Dry type
PCB and halogen free

Safety devices Overpressure disconnecter

Weight kg 1,1



		DRAWN :	Fal.
TYPE : see above		DRW. No. :	3BP1253
		APPVD :	
		Date :	3.6.2009
	ZEZ-SILKO s.r.o.	tel : +420 465 673 111	
	Pod Černým lesem CZ 564 22 ŽAMBERK Czech Republic	fax : +420 465 612 319 e-mail : zez@zez-silko.cz http://www.zez-silko.cz	