



25A VARIABLE PHASE ANGLE REGULATOR

AVR
X10208

INTRODUCTION

This fully variable, powerful phase angle regulator is a manually controlled, robust, compact, enclosed unit for direct or transformer coupled, single-phase loads. The high current triac, fuse terminals and all main parts are enclosed and mounted on an integral heatsink to ensure long life with reliable high ambient temperature operation. The large triac enables the unit to handle high in-rush currents with ample safety margin on industrial installations.

APPLICATIONS

Suitable for conventional resistive heating elements, including ovens, moulders, dryers and some inductive loads e.g. transformers and motors.

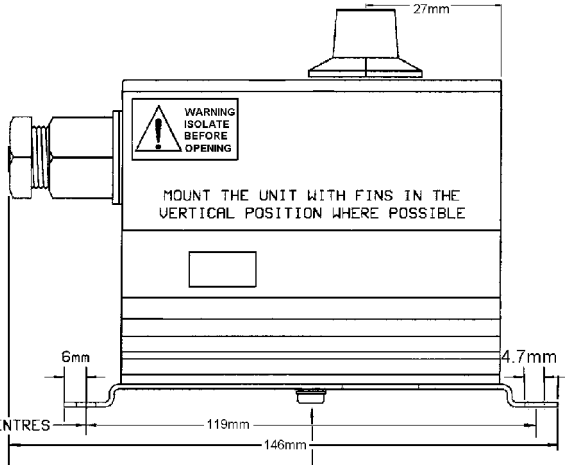
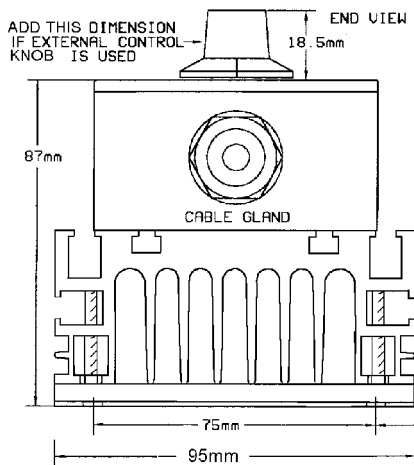
**RoHS Compliant
Directive
2002/95/EC**

FEATURES

- Integral high speed fuse.
- Built in heatsink.
- High in-rush capability.
- Single entry cable gland.
- Control knob and dial

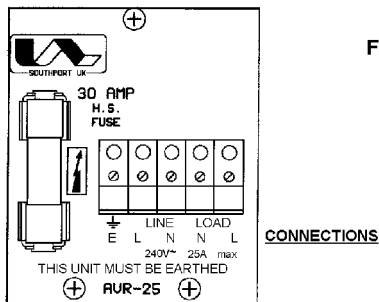


INSTALLATION



(EARTH BONDING-DO NOT REMOVE)
FOR OPTIMUM PERFORMANCE AND HEAT DISSIPATION
THE UNIT SHOULD BE MOUNTED VERTICALLY

WARNING
SWITCH OFF MAINS BEFORE COMMENCING
ANY SERVICE WORK



SPECIFICATIONS:

Mains voltage	110 or 230V ac \pm 10% @ 50/60 Hz	Isolation Classification	Class II
Min. Load current	200mA	Isolation voltage	2500V rms
Max. RMS current	25A.	I ² t for SCR fusing	250A ² s
Main control	Integral 220K pot.	Offstate dv/dt	500V/ μ s
Peak one cycle surge	250A	Replacement Fuse	30A 660V SCR type
Heatsink	1.3°C/Watt	Storage temp.	-20°C to +85°C
Max operating temp	0-65°C	Max. Cable entry	2.5mm ²
		Min. Level set	0-50% via integral cermet

FUSING

It is recommended to use semiconductor (fast acting) type fuses or circuit breakers (Semiconductor - MCB) for unit protection. Integral fuse included. (See SRA Datasheet for further information).

CE MARKING

This product family carries a "CE marking". These phase angle controllers need a suitable remote filter. For information see recommendation section and contact our sales desk. (See Declaration of Conformity)

RECOMMENDATION

Other documents available on request, which may be appropriate for your applications.

CODE	IDENTITY	DESCRIPTION
X10229	RFI	Filtering recommendations - addressing the EMC Directive
X10213	ITA	Interaction, uses for phase angle and for burst fire control.
X10255	SRA	Safety requirements - addressing the Low Voltage Directive (LVD) including: - Thermal data/cooling; "Live" parts warning & Earthing requirements; Fusing recommendations.
AP02/4	COS	UAL Conditions of sale

NOTE It is recommended that installation and maintenance of this equipment should be done with reference to current edition of the I.E.E. wiring regulations (BS7671) by suitably qualified/trained personnel. The regulations contain important requirements regarding safety of electrical equipment. (For International standards refer to I.E.C directive IEC 950).

ORDER CODE

State part number: AVR + (Mains supply voltage)

Optional extras include F-series Filter.

Note: When ordering a filter, the current the AVR is to be used at will be required



UNITED AUTOMATION LIMITED

1 Southport Business Park
Kew
Southport, PR8 4HQ
ENGLAND

Tel: 0044 (0) 1704 – 516500 Main
Tel: 0044 (0) 1704 – 516516 Sales
Fax: 0044 (0) 1704 – 516501
Enquiry@united-automation.com
www.united-automation.com

Page No. 2 of 2 Issue 3

Date 25/11/99



This document was created with Win2PDF available at <http://www.win2pdf.com>.
The unregistered version of Win2PDF is for evaluation or non-commercial use only.
This page will not be added after purchasing Win2PDF.