

FAN08 VENTILATING UNITS WITH FILTER

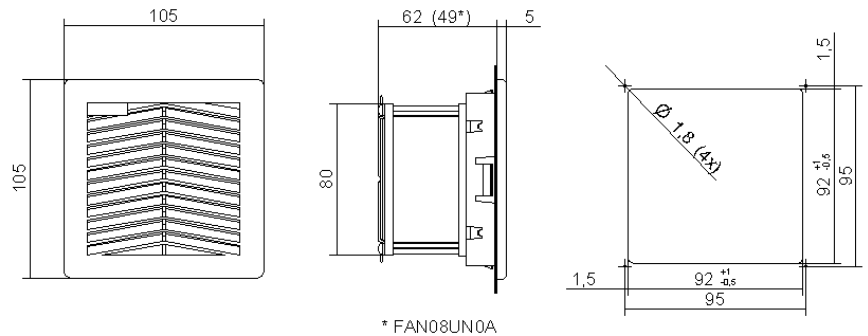
Characteristics	M.U.	FIL08XN0A	FAN08BN0A	FAN08CN0A	FAN08UN0A
Air flow rate	m ³ /h	-	23/30	23/30	28
Power supply	V ~ Hz	-	230 1~ 50-60	115 1~ 50-60	24 V DC
Dimensions HxWxD	mm	105x105x21	105x105x67	105x105x67	105x105x54
Absorbed electric power	W	-	10/8	9/7	2,9
Max. current	A	-	0,07/0,055	0,14/0,11	0,12
Over current protection	-	-	Inside motor	Inside motor	Inside motor
Electrical connection	-	-	Terminals	Terminals	Terminals
Duty cycle	-	-	100%	100%	100%
Temperature limits	°C	-30 +75	-10 +55	-10 +50	-10 +50
Protection level EN60529	-	IP54	IP54	IP54	IP54
Noise level	dB (A)	-	40/44	40/44	34
FAN + FIL capacity	m ³ /h	-	1xFIL08XN0A: 17/22	1xFIL08XN0A: 17/22	1xFIL08XN0A: 20
Direction of the air flow	-	-	Outside towards the inside Not reversible	Outside towards the inside Not reversible	Outside towards the inside Not reversible
Filter (Eurovent 4/9)	-	EU4	EU4	EU4	EU4
Motor support	-	-	Bearings	Bearings	Bearings
Colour	-	RAL 7032 orange peel effect			
Conformity	-	CE	CE	CE	CE

Accessories/Options	
Pack of 10 cloth filters for FAN08	C15000216
Pack of 10 cloth filters for FAN08 high filtering capacity	C15000217
0-60°C thermostat, NO 10A	AAFTO12
5-60°C thermostat, change-over contact 10A	AAWTS10

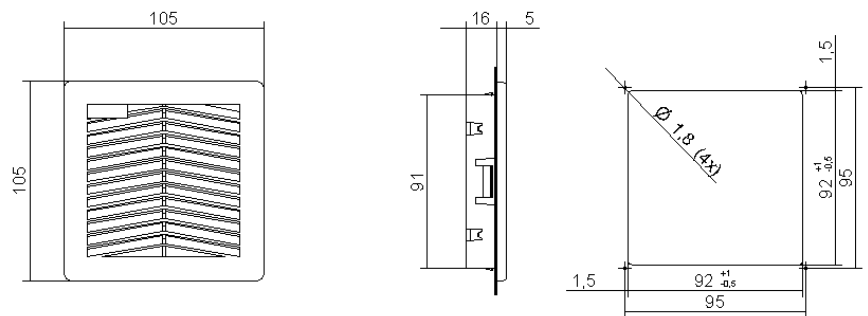
REMARK : The drilling templates are merely indicative.
Always put in touch with our technical-sales department for further explanation you should need.



FAN08



FIL08



Dimensions

Drilling templates

Performances

