

# VARIABLE AC REGULATOR UP TO 17A WITH RFI SUPPRESSION

QVR/RFI 17A  
QVR-s/RFI 17A

X10299

## INTRODUCTION

These variable phase angle power regulators are robust and compact units for 230V, up to 17A, which are ideal for controlling single phase mains driven loads. They give fully adjustable voltage output from 0-98% and the large triac enables the unit to handle high inrush currents with ample safety margin on industrial installations. These units incorporate their own RFI filter network to comply with EMC Regulations (Class A).

## APPLICATIONS

Suitable for quartz lamps, or any conventional resistive heating elements in series or parallel configurations. Applications including ovens, moulders, dryers and some inductive loads, for example transformers and motors.

## FEATURES

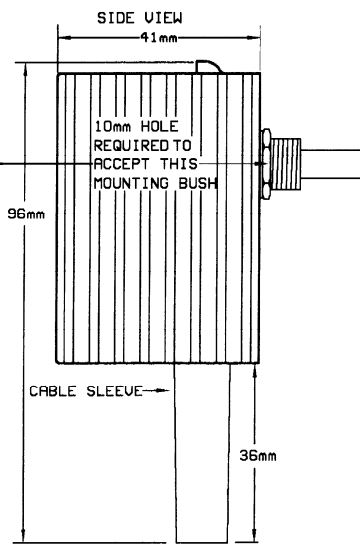
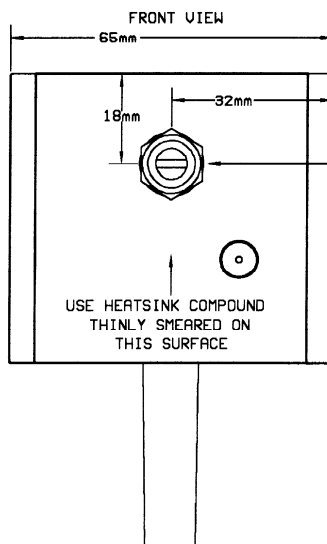
- Integral RFI network.
- ON/OFF switched version (QVRS)
- Infinitely variable 0-98% output.
- Single hole fixing.
- Rugged and compact
- Designed to maximise thermal dissipation

RoHS Compliant  
Directive  
2002/95/EC

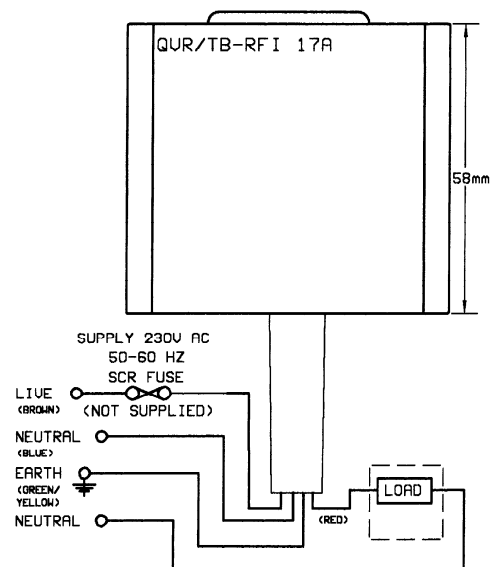


## INSTALLATION

### CONNECTIONS AND DIMENSIONS



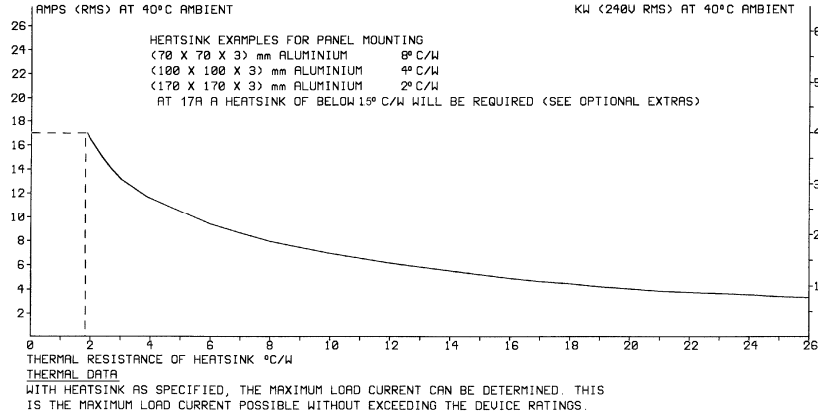
### REAR VIEW



**WARNING**  
LIVE TERMINALS - SWITCH OFF SUPPLY BEFORE COMMENCING ANY SERVICE WORK

**NOTE**  
FOR HEATSINK PANEL MOUNTING A 10MM HOLE IS REQUIRED TO ACCEPT MOUNTING BUSH. HEATSINK COMPOUND MUST BE USED FOR EFFECTIVE THERMAL COUPLING.

## INSTALLATION



## SPECIFICATIONS

Triac limiting RMS. On state cycle	25A	Isolation voltage	2500V rms
Peak one cycle surge @ (10mS)	320A	I <sup>2</sup> t limiting value for fusing	112A <sup>2</sup> s
Max forward volts drop at 10A	1.5V	Mains supply tolerance, within 10%	230V/110V ac
Max load at 20°C ambient (without extra heatsink)	10A	Max recommended unit temperature	65°C
Mains frequency	50/60Hz	Max recommended unit temperature	-20 TO +85°C
<b>FURTHER DIMENSION</b>			
Shaft diameter	6.3mm	Shaft projection from bush	13mm/SW 8mm
Bush length	5mm	Fixing hole diameter	10mm

## FUSING

It is recommended to use semiconductor (fast acting) type fuses or circuit breakers (Semiconductor-MCB) for protection. On initial 'switch on' some loads may need an increased Factor of Safety (F of S) for Unit and/or Device protection. See SRA Data sheet for further information.

## CE MARKING

This product family carries a "CE" mark and incorporates a filter (Standard type to emission levels BS EN 55022 Class A - Industrial) to address the EMC directive. For information see recommendation section and contact our sales desk. (See Declaration of Conformity).

## RECOMMENDATIONS

Other documents available on request, which may be appropriate for your application: -

CODE	IDENTITY	DESCRIPTION
X10229	RFI	Single Phase Filtering recommendations - addressing EMC Directive
X10213	ITA	Interaction, uses for phase angle and for burst fire control.
X10255	SRA	Safety requirements - addressing the Low Voltage Directive (LVD) including: - Thermal data/cooling; "Live" parts warning & Earth requirements; Fusing recommendations.
	AP02/4	COS UAL Conditions of sale.

**NOTE** It is recommended that installation and maintenance of this equipment should be done with reference to the current edition of the I.E.E. wiring regulations (BS7671) by suitably qualified/trained personnel. The regulations contain important requirements regarding safety of electrical equipment (For International Standards refer to I.E.C/ directive IEC 950).

## ORDER CODE:

State part number: Non switched      QVR/RFI 17A +(Supply voltage)  
 State part number: Switched      QVRS/RFI 17A +(Supply voltage)  
 Optional extras include: Knob, Dial, Heatsink paste.



## UNITED AUTOMATION LIMITED

1 Southport Business Park  
 Kew  
 Southport, PR8 4HQ  
 ENGLAND

Tel: 0044 (0) 1704 – 516500 Main  
 Tel: 0044 (0) 1704 – 516516 Sales  
 Fax: 0044 (0) 1704 – 516501  
 Enquiry@united-automation.com  
 www.united-automation.com  
 Date 22/12/99

Page No. 2 of 2 Issue 2





# VARIABLE AC REGULATOR UP TO 17A WITH RFI SUPPRESSION

QVR/RFI 17A  
QVR-s/RFI 17A

X10299

## INTRODUCTION

These variable phase angle power regulators are robust and compact units for 230V, up to 17A, which are ideal for controlling single phase mains driven loads. They give fully adjustable voltage output from 0-98% and the large triac enables the unit to handle high inrush currents with ample safety margin on industrial installations. These units incorporate their own RFI filter network to comply with EMC Regulations (Class A).

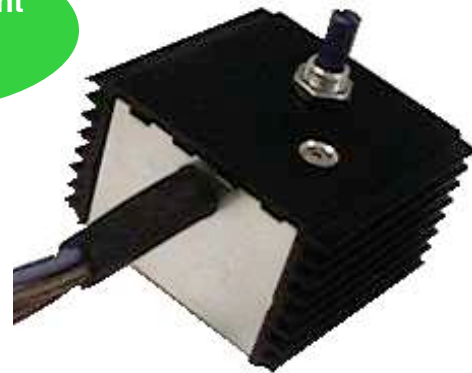
## APPLICATIONS

Suitable for quartz lamps, or any conventional resistive heating elements in series or parallel configurations. Applications including ovens, moulders, dryers and some inductive loads, for example transformers and motors.

## FEATURES

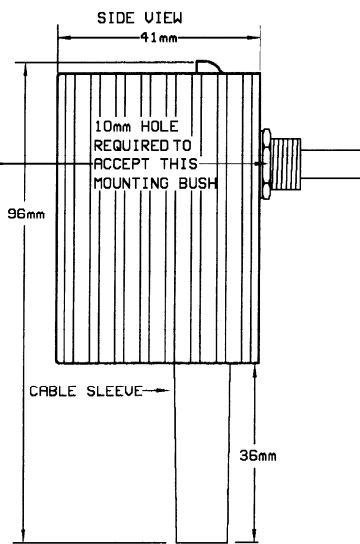
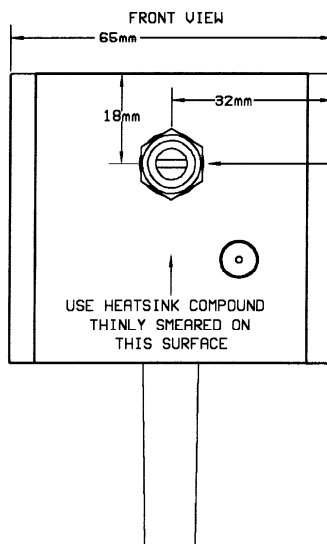
- Integral RFI network.
- ON/OFF switched version (QVRS)
- Infinitely variable 0-98% output.
- Single hole fixing.
- Rugged and compact
- Designed to maximise thermal dissipation

RoHS Compliant  
Directive  
2002/95/EC

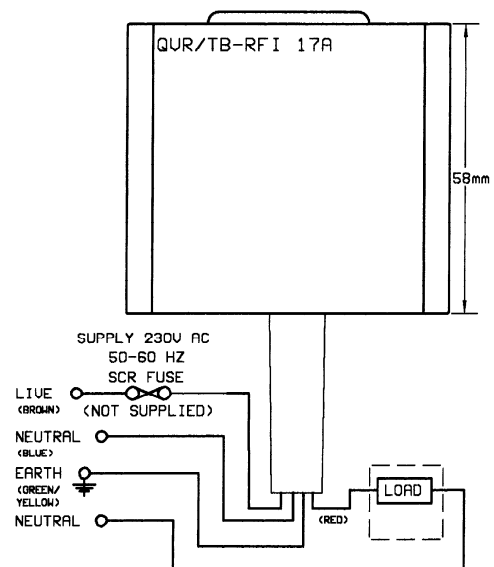


## INSTALLATION

### CONNECTIONS AND DIMENSIONS



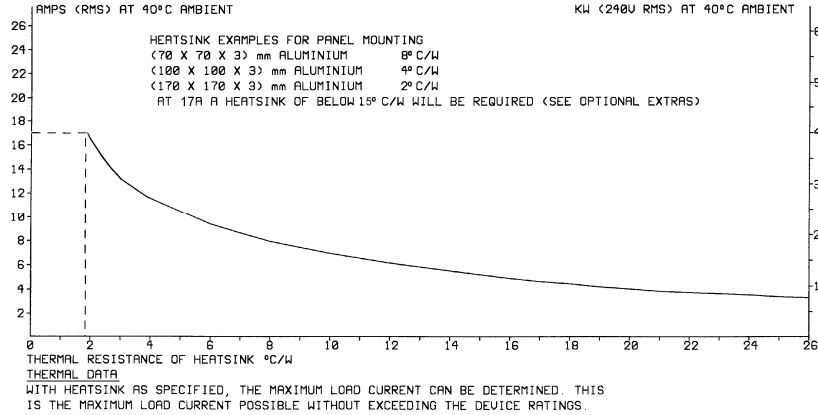
### REAR VIEW



**WARNING**  
LIVE TERMINALS - SWITCH OFF SUPPLY BEFORE COMMENCING ANY SERVICE WORK

**NOTE**  
FOR HEATSINK PANEL MOUNTING A 10MM HOLE IS REQUIRED TO ACCEPT MOUNTING BUSH. HEATSINK COMPOUND MUST BE USED FOR EFFECTIVE THERMAL COUPLING.

## INSTALLATION



## SPECIFICATIONS

Triac limiting RMS. On state cycle	25A	Isolation voltage	2500V rms
Peak one cycle surge @ (10mS)	320A	I <sup>2</sup> t limiting value for fusing	112A <sup>2</sup> s
Max forward volts drop at 10A	1.5V	Mains supply tolerance, within 10%	230V/110V ac
Max load at 20°C ambient (without extra heatsink)	10A	Max recommended unit temperature	65°C
Mains frequency	50/60Hz	Max recommended unit temperature	-20 TO +85°C
<b>FURTHER DIMENSION</b>			
Shaft diameter	6.3mm	Shaft projection from bush	13mm/SW 8mm
Bush length	5mm	Fixing hole diameter	10mm

## FUSING

It is recommended to use semiconductor (fast acting) type fuses or circuit breakers (Semiconductor-MCB) for protection. On initial 'switch on' some loads may need an increased Factor of Safety (F of S) for Unit and/or Device protection. See SRA Data sheet for further information.

## CE MARKING

This product family carries a "CE" mark and incorporates a filter (Standard type to emission levels BS EN 55022 Class A - Industrial) to address the EMC directive. For information see recommendation section and contact our sales desk. (See Declaration of Conformity).

## RECOMMENDATIONS

Other documents available on request, which may be appropriate for your application: -

CODE	IDENTITY	DESCRIPTION
X10229	RFI	Single Phase Filtering recommendations - addressing EMC Directive
X10213	ITA	Interaction, uses for phase angle and for burst fire control.
X10255	SRA	Safety requirements - addressing the Low Voltage Directive (LVD) including: - Thermal data/cooling; "Live" parts warning & Earth requirements; Fusing recommendations.
	AP02/4	COS UAL Conditions of sale.

**NOTE** It is recommended that installation and maintenance of this equipment should be done with reference to the current edition of the I.E.E. wiring regulations (BS7671) by suitably qualified/trained personnel. The regulations contain important requirements regarding safety of electrical equipment (For International Standards refer to I.E.C/ directive IEC 950).

## ORDER CODE:

State part number: Non switched      QVR/RFI 17A +(Supply voltage)  
 State part number: Switched      QVRS/RFI 17A +(Supply voltage)  
 Optional extras include: Knob, Dial, Heatsink paste.



## UNITED AUTOMATION LIMITED

1 Southport Business Park  
 Kew  
 Southport, PR8 4HQ  
 ENGLAND

Tel: 0044 (0) 1704 - 516500 Main  
 Tel: 0044 (0) 1704 - 516516 Sales  
 Fax: 0044 (0) 1704 - 516501  
 Enquiry@united-automation.com  
 www.united-automation.com  
 Date 22/12/99

